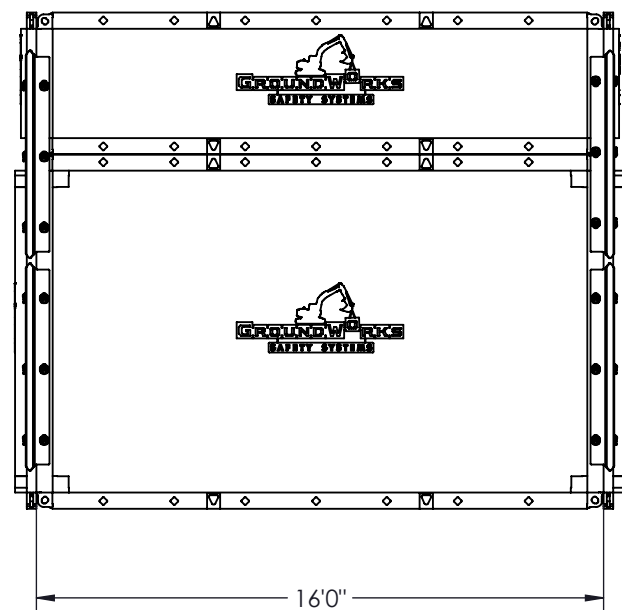
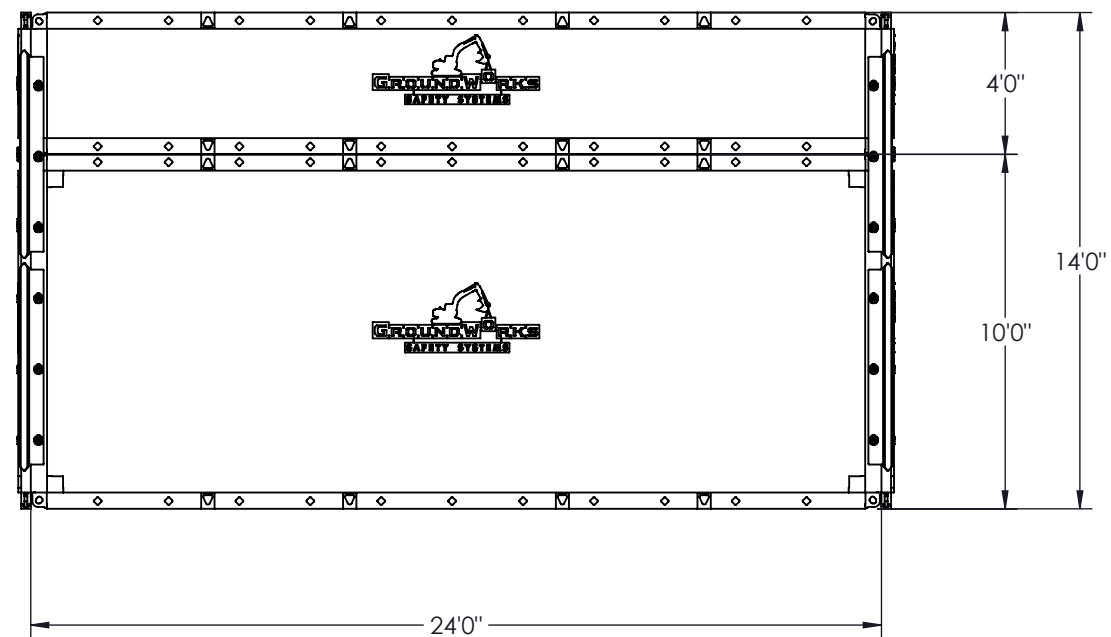
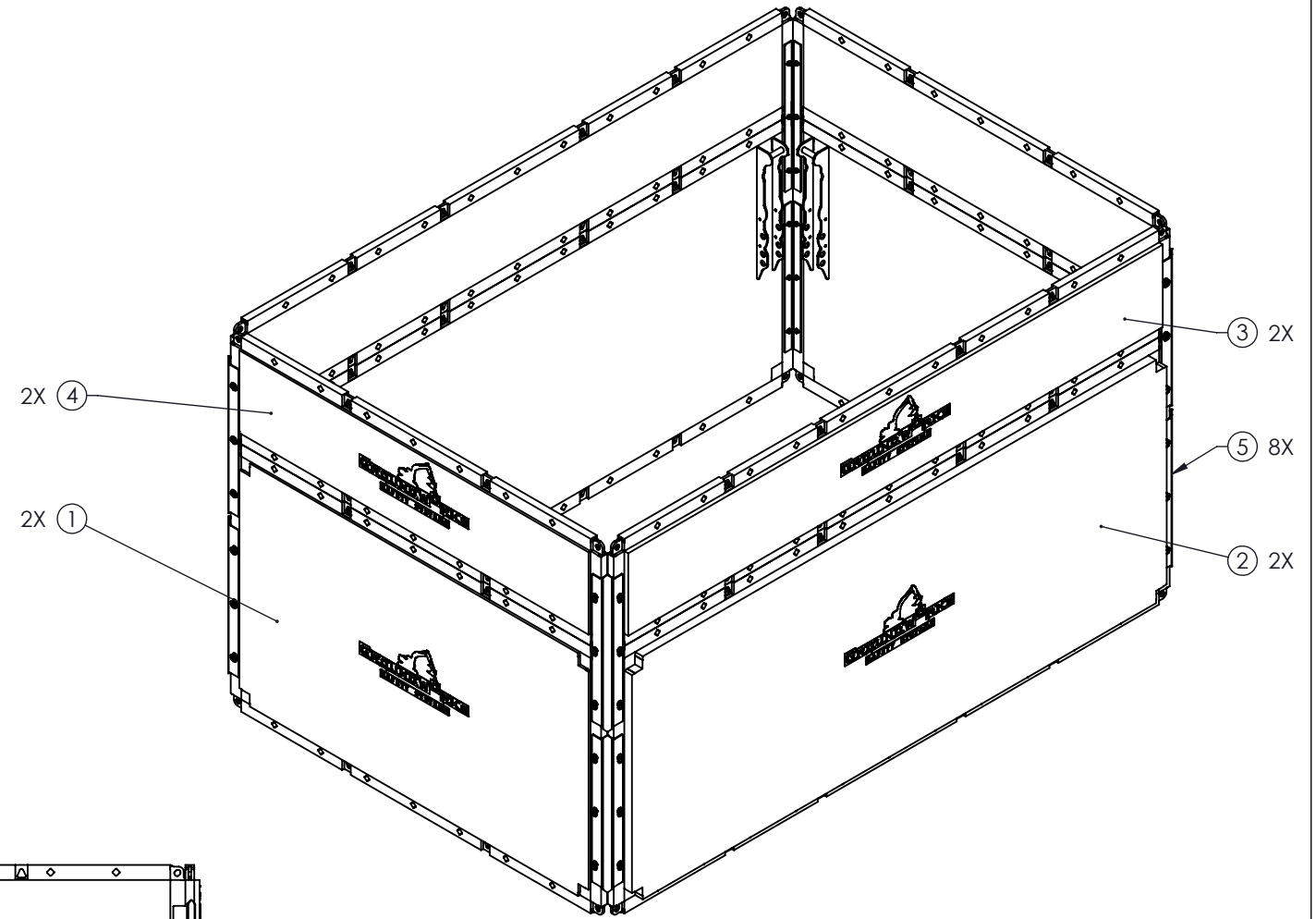
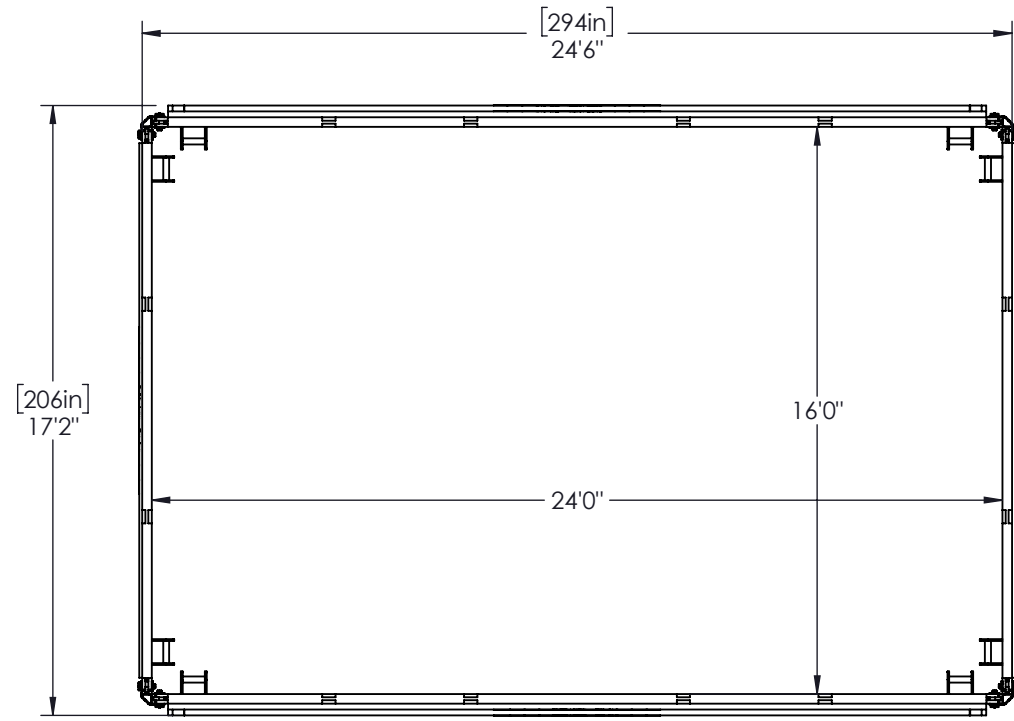


ITEM	Part Config	DESCRIPTION	Config	QTY.	Weight
1	MMP-1016	10'x16' Medium Duty Panel	MM 10X16	2	3710
2	MMP-1024	10'x24' Medium Duty Panel	MM 10X24	2	5760
3	MMP-0424	4'x24' Medium Duty Panel	MM 4X24	2	2120
4	MMP-0416	4'x16' Medium Duty Panel	MM 4X16	2	1420
5	AMB22-6	6-Foot Corner Connectors	6 PIN	8	330



NOTICE OF CONFIDENTIALITY:
 INFORMATION INCLUDED IN THIS DRAWING
 IS PROPRIETARY, AND IS NOT TO BE
 REPRODUCED, DISTRIBUTED, OR DISCLOSED
 EXCEPT AS SPECIALLY AUTHORIZED IN
 WRITING BY GROUNDWORKS SAFETY
 SYSTEMS INC.

SCALE: 1:65
 DATE: 2025-04-01
 WEIGHT: 28660 lbs

GROUNDWORKS SAFETY SYSTEMS 4207 53rd Street Close, Innisfail, Alberta, T4G 1P9
 DWG TITLE: MM 10X24 24LX16WX14D_4S